

Related Products

ADH4000

Heavy Duty Auto Drain

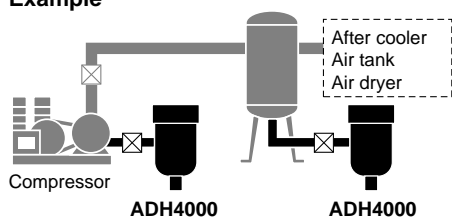
Easy maintenance

It is possible to maintain without changing existing piping.

No need for electric power and no waste of air.

Float style drain allows automatic drain discharge without electric power.

Example



Specifications

Auto drain type	Float type
Auto drain valve type	N.O. (Normally open: open in case of pressure loss)
Proof pressure	2.5MPa
Max. operating pressure	1.6MPa
Operating pressure range ⁽¹⁾	0.05 to 1.6MPa
Fluid	Compressed air
Ambient and fluid temperature	5 to 60°C (No condensation) (Corrosive gas, flammable gas and organic solvent are not allowed.)
Max. drain discharge	400cc/min (Pressure 0.7MPa, in case of water)
Weight	1.2kg (With bracket: 1.3kg)
Paint color	Light gray

Note 1) Use for air compressor with flow more than 50ℓ/min (ANR).

Accessories (Optional)

Name	Part No.	Content
Bracket set	BM58	Bracket 1 pc. M6 X 10ℓ (Hex. bolt) 2 pcs.
Ball valve piping set	ADH-C400	Ball valve/Rc(PT) 1/2 1 pc. Barrel nipple/R(PT) 1/2 2 pcs. Elbow/Rc(PT) 1/2 1 pc.

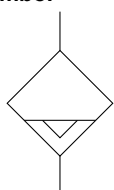
Note) Accessories (optional) are shipped unassembled but packed in the same box.



With ball valve piping set

With bracket set

JIS Symbol



How to Order

ADH4000 — **04**

Heavy duty auto drain

Body size

Thread

—	Rc(PT)
F	G(PF)
N	NPT

Port size

04	1/2 (Female thread)
----	---------------------

Accessories (Optional)*

—	No option (Standard)
B	Bracket set
C	Ball valve piping set

*Notes

- When more than one option is desired, list in alphabetical order.
- Accessories are not factory assembled.
- Refer to each drawing for details of dimensions and mounting methods.
- Accessory "C" is available only with Rc(PT) thread.

HA

AT

ID

AMG

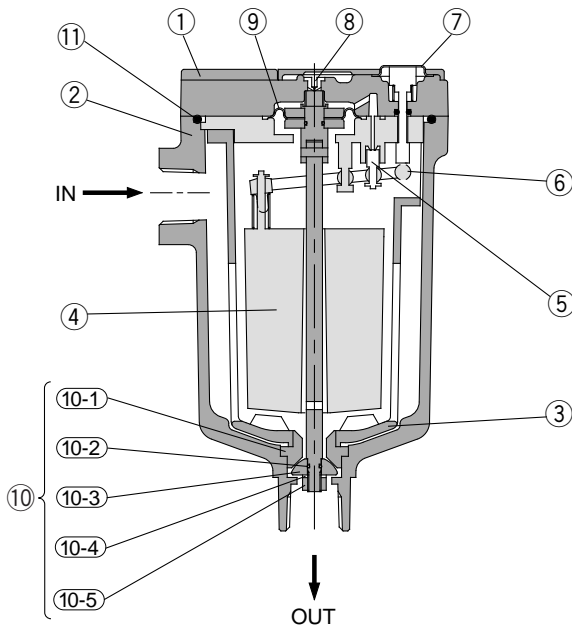
AFF

AM

Related products

ADH4000

Construction



Component Parts

No.	Part name	Material	Note
①	Body	Aluminum alloy	Baking finish
②	Housing	Aluminum alloy	Baking finish
③	Drain guard	Aluminum alloy	Baking finish
④	Float	Foam rubber	
⑤	Pilot valve	Stainless steel + Rubber	
⑥	Lever	Resin	
⑦	Flushing button	Brass	
⑧	Orifice		
⑨	Diaphragm	Rubber	

Replacement Parts

No.	Part name	Part No.	Note
⑩	Repair kit for main valve	ADH-D400	Kit includes parts from (10-1) to (10-5).
⑪	O ring	G85 (B)	Material: NBR

Note) When changing parts, follow the instruction manual.
Do not disassemble other parts.

⚠️ Precautions

Be sure to read before handling.

Refer to p.0-26 and 0-27 for Safety Instructions and common precautions on the products mentioned in this catalog, and refer to the text for more detailed precautions of every series.

Design

⚠️ Caution

- ① Operate this product in an area in which the air pressure does not exceed 1.6MPa.
If this value is exceeded, it could lead to an accident or malfunction.
- ② An air pressure of 0.05MPa and an air compressor's discharge flow rates higher than 50 l/min (ANR) are required.
Below these values, the air will continue to be discharged from the drainage discharge port.
- ③ Keep the compressed air temperature and the ambient temperature of the location in which this product is installed within the range of 5 to 60°C. Exceeding this range could lead to failure or malfunction.
- ④ Avoid operating this product in an area in which corrosive gases, flammable gases or organic solvents are contained in the compressed air or in the surrounding air.

Selection

⚠️ Caution

- ① The maximum dischargeable drainage rate is 400cc/min.
If the product is operated in excess of this value, there is a risk of causing the drainage to flow out to the secondary side.

Piping

⚠️ Caution

- ① Use piping of 1/2B bore size or large for drain inlet and allow for unobstructed flow-in for drain.
- ② Drain line should be 8mm or more and should be less than 10m long. Do not have any upward angles in drain line. Be sure to fix exhaust port piping since drain is under pressure.

Installation

⚠️ Caution

- ① Install with "Out Port" down in a vertical position.
Inclination from vertical should be less than $\pm 5^\circ$.
- ② Install with at less 200mm of free space above unit to allow for maintenance.
- ③ To place this product near the air compressor, install in such a way that the vibrations will not be transmitted.
- ④ Install a valve to drain inlet so that maintenance is possible.
Use a ball valve with a bore size of more than 15mm to ensure proper flow-in of drain. (Ball valve piping set is available as optional accessory.)

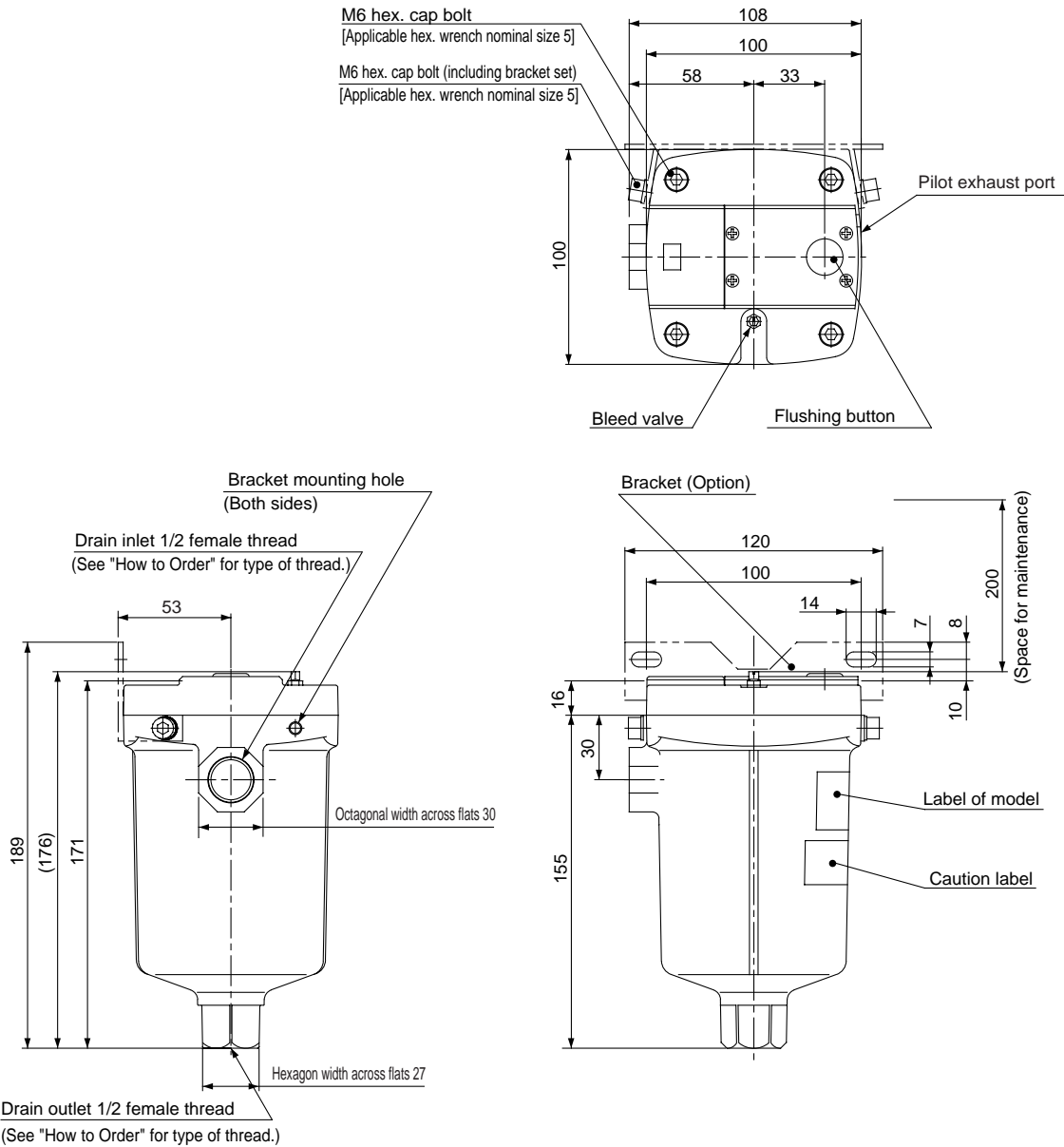
Maintenance

⚠️ Caution

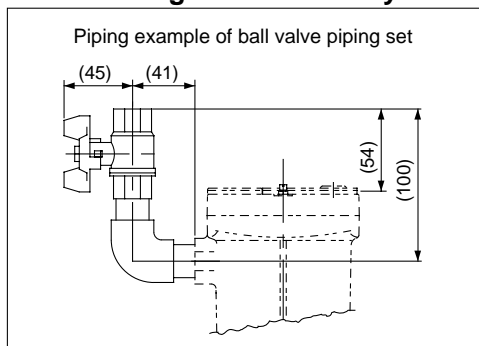
- ① Check drain condition periodically (more than once a day).
Then push flushing button to open exhaust valve.
- ② Pilot air is exhausted from the exhaust port indicated in the "Dimensions" section.
Do not cover this exhaust port. Clean exhaust port so that port is not blocked by dust, etc.

Heavy Duty Auto Drain *ADH4000*

Dimensions



Optional specification/ Reference figure of assembly



- HA
- AT
- ID
- AMG
- AFF
- AM
- Related products